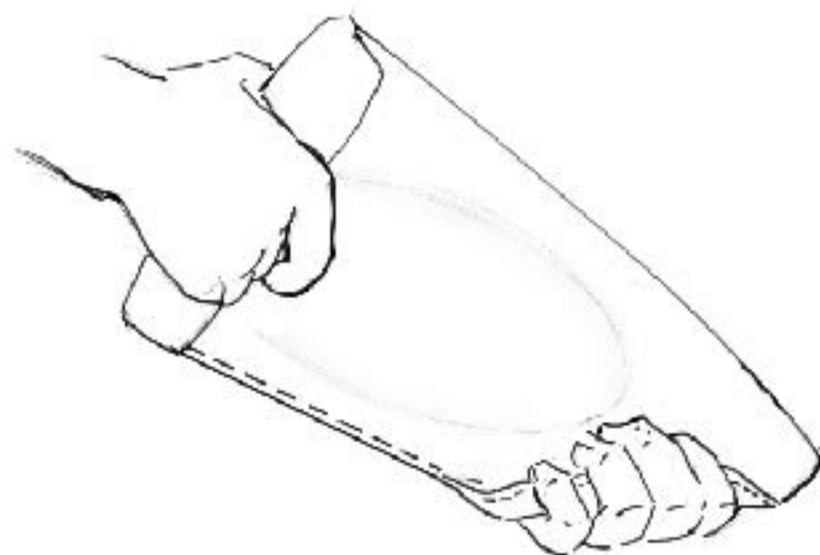


1



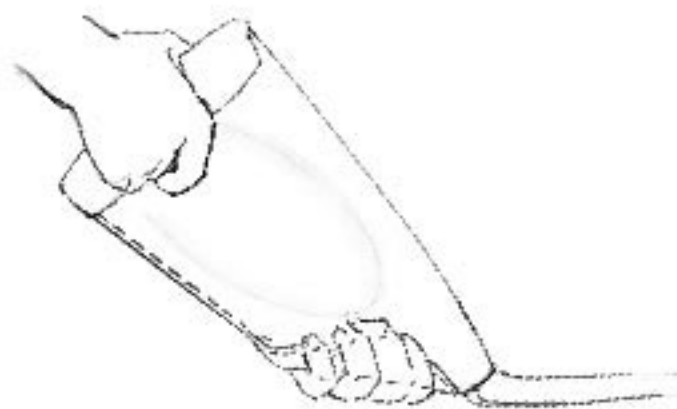
1. Filling EZ PRESSURE "GUN-2100"™: With SCOOP place mortar or grout into GUN. Fill GUN no more than 2/3 full (that is: +/- 3&1/2" from top edge). Do not overfill GUN, or fill end will not fold correctly and tightly seal contents inside.

2



2. Seal and ready EZ PRESSURE "GUN-2100"™ for building: Place sides firmly together at fill end opening. Fold edge sharply at seam. Tightly clasp GUN fill end closed and away from you, at center of fold, with one hand. Gently rest side of flexible comfort grip in palm of forward hand. Aim GUN as desired. Left-hand purpose use drawing in reverse.

3



3. EZ PRESSURE "GUN-2100"™ installing beads of mortar: To eject mortar or grout; roll GUN wide edge away from you and forward with rear hand. Simultaneously push rear arm forward to eject material in location where front hand points GUN. Adjust rear hand rolling and rear arm pushing to eject proper amount of material needed for any particular circumstance. Pull GUN back and toward you (recommended direction) or move GUN forward and away from you while ejecting beads of mortar onto building surfaces. While building, hold GUN ejection end 1" +/- above surface to create uniform 3/4" beads. Hold GUN ejection end tightly against surface of openings to injection fill joints, cracks or voids. Play with the GUN. Experiment! Let your imagination run wild! You can do a lot with this GUN. **MUST READ #4.**

CAREFULLY - "Gauge" your beads of mortar: Perfect the way you hold and move your GUN as you place beads of mortar for building purposes. In minutes you will learn to place evenly sized and properly spaced mortar beads for stacked installation of masonry materials you are building with, such as brick or block.

4



4. Mixing mortars or grouts for use with EZ PRESSURE "GUN-2100"™ and any attachment: Place pre mix mortar or grout into mixing container. Add water and thoroughly mix with hoe until mix consistency resembles smooth, creamy milk

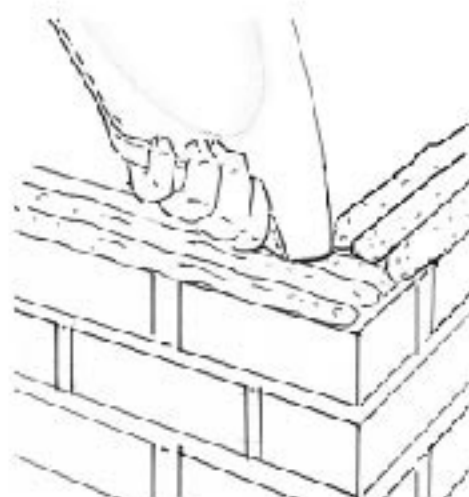
shake. Leave no chunks or lumps unmixed. Chunks or lumps clog GUN ejection ends and stop material from freely flowing (please see all instructions). Increase or decrease water in mix so that, with very little pressure, material consistently flows freely and smoothly through whatever size ejection end you choose to use.

Remember: By increasing or decreasing water amounts you can adjust mix fluid consistency until mix flows easily through any size ejection end and makes you completely satisfied.

Mix Rule-of-Thumb: Hold GUN vertically (with or without attachments). Mix consistencies are exactly correct when mix is loose and slippery enough so - BY GRAVITY ALONE - the mix gently plops or seeps out any ejection end you are using prior to your applying any pressure from the GUN.

The ultimate TRADE SECRET to making a "super flow mix": Add 1/2 shovel or more of pure Portland Cement per 4 shovels of mortar mix. Mix very well, leaving no lumps or clumps. Adjust fluid consistency with water as needed. You will be amazed how easy it is to mix your mortar or grout into a "super flow mix" that flows easily to and through any ejection end. This TRADE SECRET makes mixes extra slippery, very durable and super flow capable.

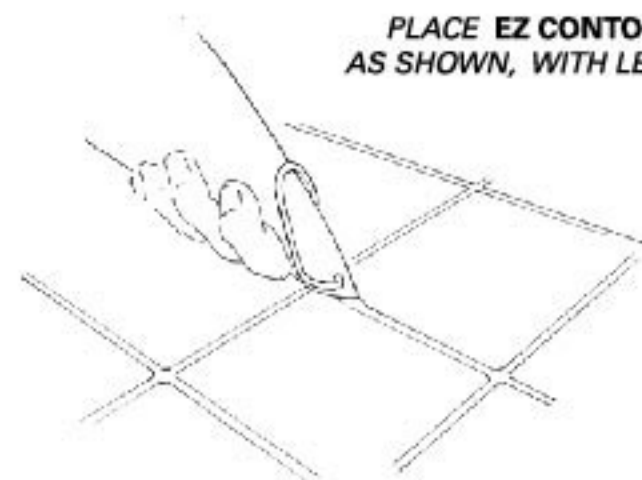
5



5. Laying brick & block with EZ PRESSURE "GUN-2100"™: Pressure inject three evenly sized 3/4" tall beads of mortar atop brick (one each edge and one in the middle). For block, place one 3/4" tall bead on all

horizontal surfaces. Leave 1/2" space between ends of each brick or block as you gently place brick or block on top of mortar beads. After setting very few brick or block, very gently tap brick or block as needed to make them straight and flush. Use a straight edge or level if desired. Pressure inject joint openings full with mortar between brick or block. Continue to install brick or block. When mortar in joints dries to a firm texture, scrape off any protruding extra mortar with edge of SCOOP. Then immediately run the desired SCOOP joint tool through the joints. Wash finished joints with a clean wet sponge.

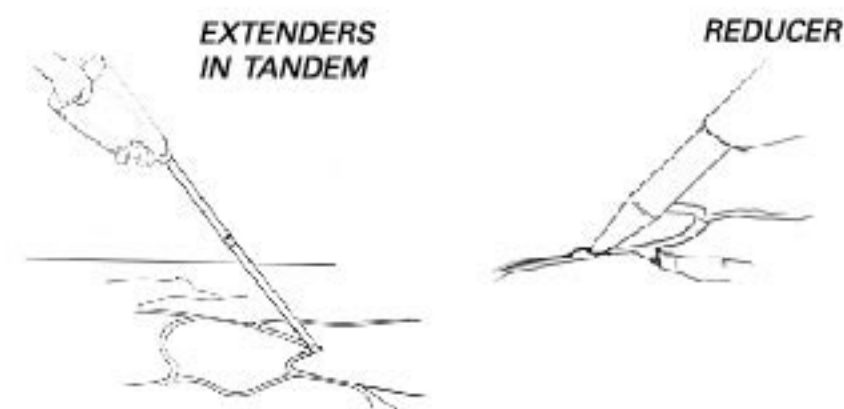
6



PLACE EZ CONTOUR CLAMP™ AS SHOWN, WITH LEGS POINTED UPWARD

6. Use EZ CONTOUR CLAMP™: Grout kitchen and bath tile joints. Reduce GUN ejection end to inject sanded or non-sanded grout into small tile joints. Place CLAMP firmly onto ejection end of GUN and position CLAMP to leave desired ejection sized opening. Add water to grout and mix accordingly to enable easy grout flow through any size ejection opening you choose.

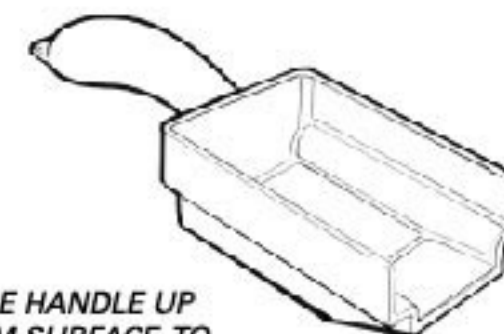
7



7. Use EZ REACH EXTENDER™ and/or EZ REACH REDUCER™: Grout joints in low level and floor level surfaces while standing. Feed clean, wet EXTENDER through ejection end of clean, wet GUN. Seat enlarged end of EXTENDER firmly inside GUN ejection end to create a good seal. Use EXTENDER singularly or attach in tandem. REDUCER can be attached onto end of either EXTENDER. By placing it singularly through ejection end of GUN you can use REDUCER alone. REDUCER'S small, rigid ejection opening is for grouting smaller joints and cracks using loose mortars and grouts.

Standing to grout floor level surfaces with EZ PRESSURE "GUN-2100"™ and two EZ REACH EXTENDERS™: Place one pre-wet EXTENDER through pre wet ejection end of GUN. Press second EXTENDER onto end of first. By adding water to your mix, make grout or mortar very loose. **Before inserting mix into GUN:** Pre-wet all interiors and exteriors of GUN and EXTENDERS with water. While standing with angled far end of EXTENDER on floor, using SCOOP, fill GUN with mix material. Mix should be loose enough so gravity alone makes mix flow to and through end of EXTENDER to the floor and gently seep out. **To produce material installation pressure:** Place EXTENDER end onto floor joint and pull backward toward you as with rear hand you roll top of GUN forward and with rear arm you collapse GUN forward toward front supporting hand. Adjust mix fluid consistency as necessary to enable a smooth and easy flow of mortar or grout. **READ ALL #4 MIX INSTRUCTIONS CAREFULLY.**

8



RAISE HANDLE UP FROM SURFACE TO DROP BEVELED EDGE FORWARD

8. Use EZ Fill SCOOP™: This SCOOP is six tools in one. 1. It is a SCOOP to fill the GUN. 2. Its square front edge is used as a material scraper/cleaner and the front edge's beveled bottom is used as a mortar or grout smoother. 3.

For square recessed joints - its spike on the handle's rear is a "rake" jointer. 4. For flush edged, inwardly rounded joints - its curved handle's radius is a "concave" jointer. 5. For gently rounded protruding joints - its left side contains a radius "grapevine" jointer. 6. For sharp "V", triangle protruding joints - its right side contains a "pyramid" jointer.

To install "grapevine" or "pyramid" joints: On face of freshly laid brick or block, scrape new joints flush with SCOOP edge. Using loaded GUN, immediately apply evenly sized beads of mortar onto newly flushed joints. Very soon after adding beads of mortar, while moist and very pliable, with clean and wet SCOOP, carefully run grapevine or pyramid jointer over beads. After applied joint shape has become quite firm in texture, gently clean adjacent brick or block edges with a clean damp sponge.

9



9. CLEANING ALL EZ PRESSURE INJECTION "SYSTEM-2100"™ TOOL PARTS: Maintain top performance from every tool part by washing with water. Make sure no mortar or grout is left inside or outside to harden on any tool part. Clean tool parts will give you years of satisfying, value building accomplishments!